

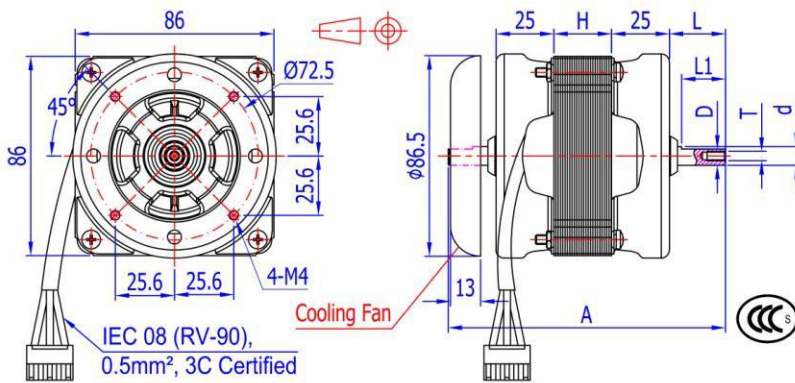
**Brief Introduction :**

1. The rated voltage can be from 100V to 240VAC. The frequency can be either 50Hz, or 60Hz, or 50/60Hz.
2. The motor can be made of 2 poles, 4 poles, 6 poles, etc as needed. Single speed, 2 speeds, 3 speeds or 4 speeds are all available.
3. The standard shaft diameter (d) is  $\varnothing 8$ mm. It can be others, and with D-cuts, threads, etc.. Its length (L2) can be any as needed.
4. The stator height (H) can be any from 20mm to 50mm.
5. The bearing brackets (housing) can be made either by steel sheet or by zinc-aluminum alloy, with or without a mounting flange.
6. The rotor bearings can be of either sleeve bearings (bush) or ball bearings as needed to reach different lifetime.
7. The motor rotation can be either in CW or CCW direction as needed.
8. RoHS compliant is available.
9. The motor is CCC certified. **Certificate No.: 2017010401996939.**

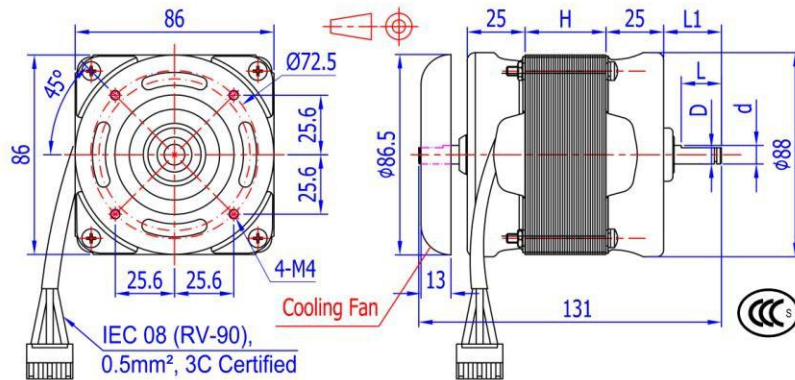
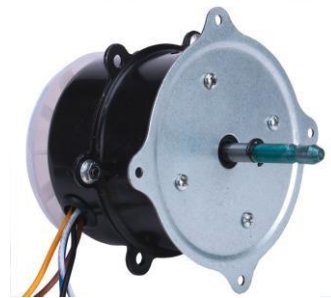
**Typical Application :**

These motors are mainly used for Bread-makers, Ventilators, Exhausters, Air-purifiers, Fans, etc.

**Outline Dimensions (All dimensions in millimeter) :**



Picture of NCP8625S with metal sheet brackets, front mounting plate and sleeve bearings



Picture of NCP8635B with metal sheet brackets, front mounting plate and ball bearings



Motor Model	Stator Height	Shaft Total L	Shaft Extended L	Shaft Diameter	D-cut Thickness	D-Cut Length	Thread Specs
NCP8625S	25mm	121	24.3	$\varnothing 8.0$	7	15	M4*8 Right
NCP8635B	35mm	129	21.5	$\varnothing 8.0$	7	14	No Threads

**Technical Performances (tested under room temperature) :**

Specs Model	Stack Height (mm)	Number of Poles ----	Rated Supply		@ No Load			@ Max. Efficiency				
			Volt. (VAC)	Freq. (Hz)	Current (Amp)	Power (in) (Watts)	Speed (rpm)	Current (Amp)	Power (in) (Watts)	Speed (rpm)	Torque (mNm)	Power (out) (Watts)
NCP8625S	25	4	230	50	0.41	87	1450	0.50	113.0	1120	297	34.0
NCP8635B	35	4	220	50	0.30	63	1450	0.40	88.5	1184	241	29.8

**Remarks:** This catalog listed just some typical models. The performances as above are just for reference only. We can adjust our motor specifications according to what the customer needs. OEM & ODM are both welcome.