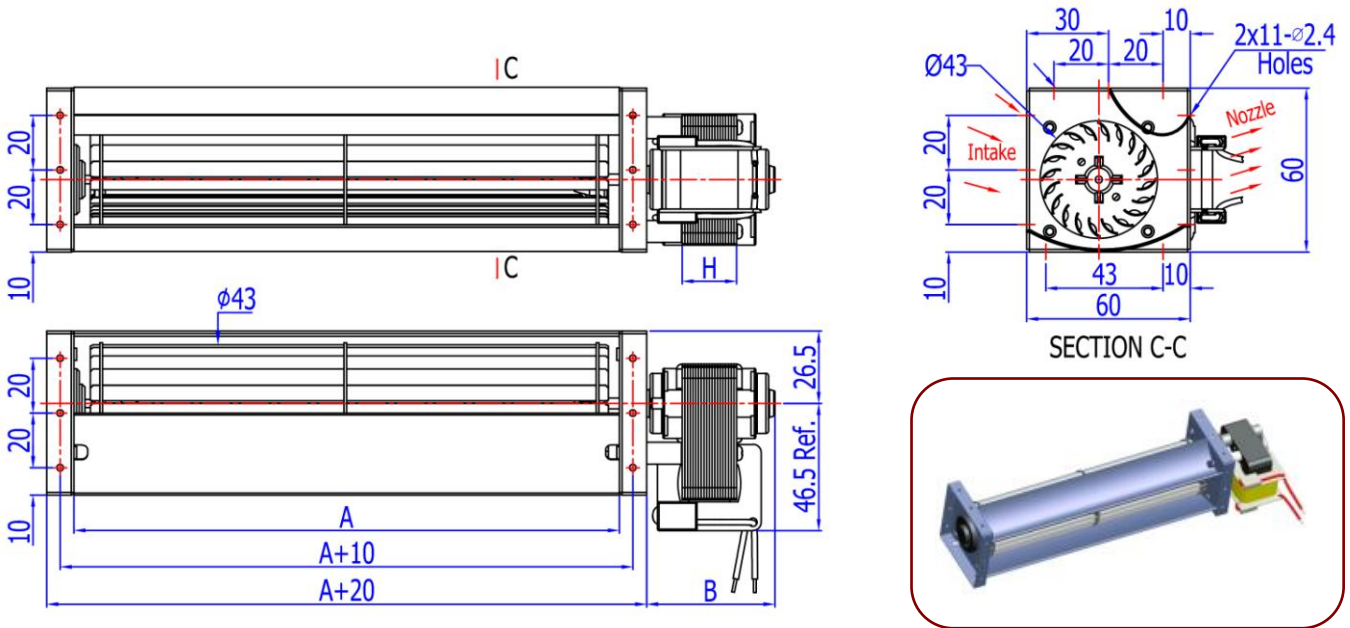


**Brief Introduction :**

Wheel:	Aluminum Alloy	Insulation System:	Class E, B, F or H As Request
Housing:	Galvanized Sheet or E-Coating	Operating Temperature:	-10°C To +50°C
Motor Type:	Shaded Pole Motors NSP48 Series (can be others)	Overheating Protection:	T.P. or Z.P.
Bearing:	Ball Bearing or Bronze Sleeve	Electrical Connection:	Flat-pin Terminal or Lead Wire
Power Supply:	100 – 240VAC as request	RoHS Compliance:	As Needed

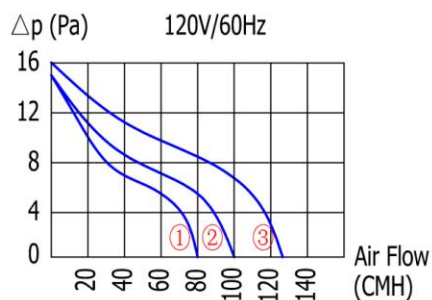
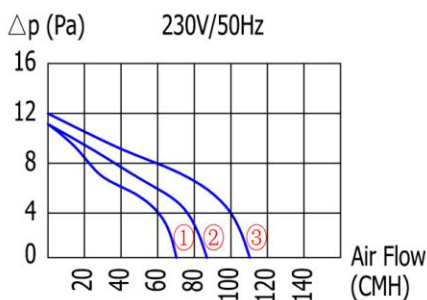
**Outline Dimensions (All dimensions in millimeter) :**



**Technical Performances (tested under room temperature) :**

No.	Specifications Model	Power Supply		Input Power (Watts)	Output Speed (rpm)	Max. Airflow		Max. Static Pressure		Noise Level [dB(A)]	Dimensions		
		Volts (VAC)	Freq'y (Hz)			Metric (m <sup>3</sup> /h)	American (CFM)	Metric (Pa)	American (in H <sub>2</sub> O)		A (mm)	B (mm)	H (mm)
		①	NAH43200-SP4815	230	50	10	2000	70	41	11	0.0442	41	200
		120	60	12	2300	80	47	15	0.0603	43			
②	NAH43250-SP4820	230	50	15	2000	87	51	11	0.0442	41	250	47	20
		120	60	16	2300	100	60	15	0.0603	43			
③	NAH43300-SP4820	230	50	20	2000	110	65	12	0.0483	42	300	47	20
		120	60	22	2300	125	74	16	0.0643	43			

**Characteristics Curves:**



**Remarks:** This catalog listed just some typical models. The performances as above are just for reference only. We can adjust our motor specifications according to what the customer needs. OEM & ODM are both welcome.