

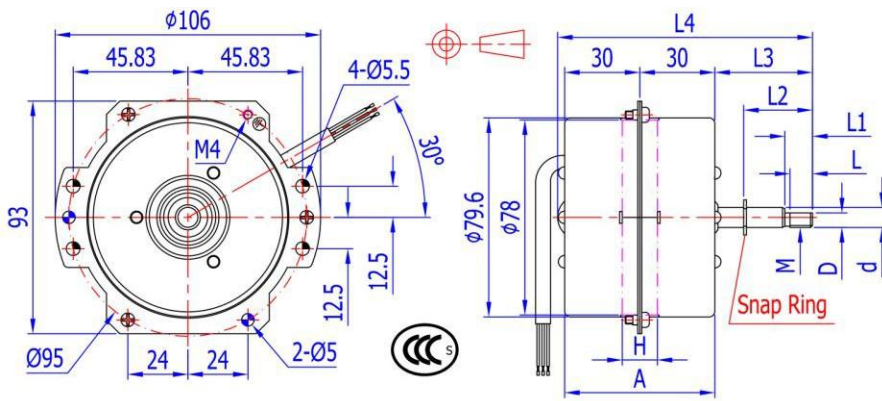
Brief Introduction :

1. The rated voltage can be from 100V to 240VAC. The frequency can be either 50Hz, or 60Hz, or 50/60Hz.
2. The motor can be made of 2 poles, 4 poles, 6 poles, etc as needed. Single speed, 2 speeds, 3 speeds or 4 speeds are all available.
3. The standard shaft diameter (d) is $\varnothing 8$ mm. It can be others, and with D-cuts, threads, etc.. Its length (L2) can be any as needed.
4. The stator height (H) can be any from 20mm to 50mm.
5. The bearing brackets (housing) can be made either by steel sheet or by zinc-aluminum alloy, with or without a mounting flange.
6. The rotor bearings can be of either sleeve bearings (bush) or ball bearings as needed to reach different lifetime.
7. The motor rotation can be either in CW or CCW direction as needed.
8. RoHS compliant is available.
9. The motor is CCC certified. **Certificate No.: 2017010401996939.**

Typical Application :

These motors are mainly used for **Ventilators, Exhausters, Air-purifiers**, Table Fans, Desk Fans, Floor Fans, Wall Fans, Box Fans, etc.

Outline Dimensions (All dimensions in millimeter) :



NCP7814M with metal sheet cover



Indication of the above letters (can be changed as needed): H=14mm, stator height
 A=60mm, motor housing total height, will be different by different stator height
 L: thread length L1: D-cut part length L2: snap ring position Length
 d: shaft diameter L3: shaft extended length L4: motor total length M=M8, thread size

Technical Performances (tested under room temperature) :

Model	Specs	Stack Height (mm)	Number of Poles	Rated Power (Watts)	Rated Supply		@ No Load			On Load			@ Stall	
					Volt.	Freq.	Current	Input P.	Speed	Current	Input P.	Speed	Current	Input P.
					(VAC)	(Hz)	(Amp)	(Watts)	(rpm)	(Amp)	(Watts)	(rpm)	(Amp)	(Watts)
NCP7812S-001		12	4P	6	220	50								
NCP7814S-002		14	4P	8	220	50	0.13	29	1420	0.16	34	1300		
NCP7816S-001		16	4P	10	220	50								
NCP7818S-002		18	4P	12	220	50								
NCP7820S-001		20	4P	14	220	50								
NCP7822S-002		22	4P	16	220	50								

Remarks: This catalog listed just some typical models. The performances as above are just for reference only. We can adjust our motor specifications according to what the customer needs. OEM & ODM are both welcome.