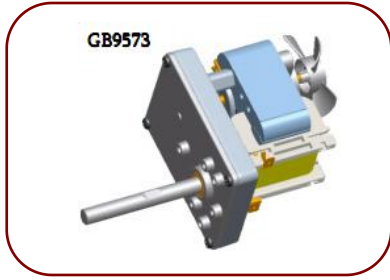
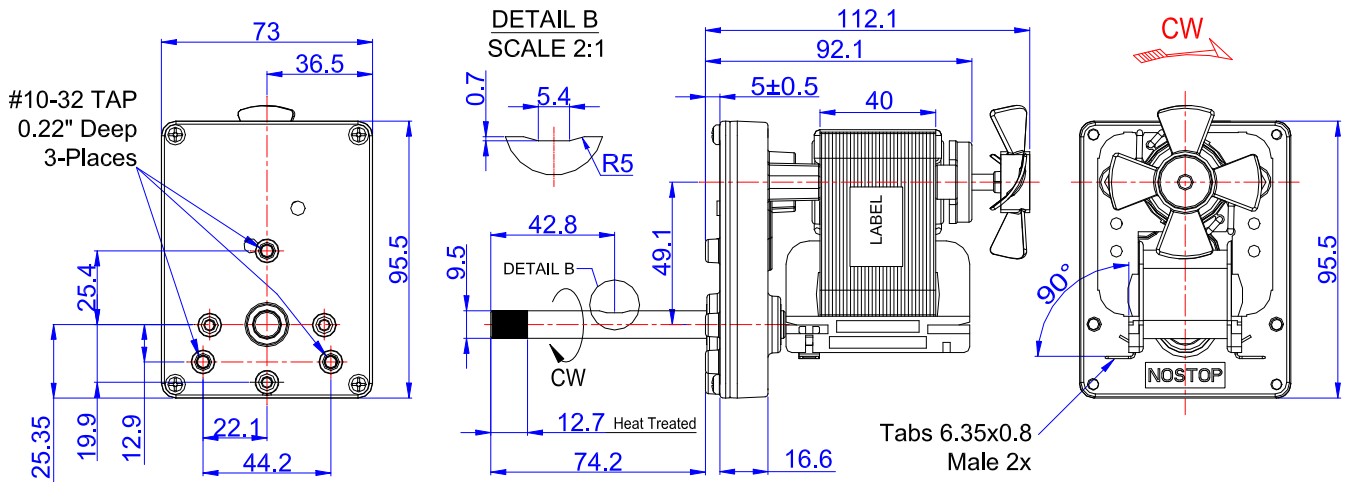


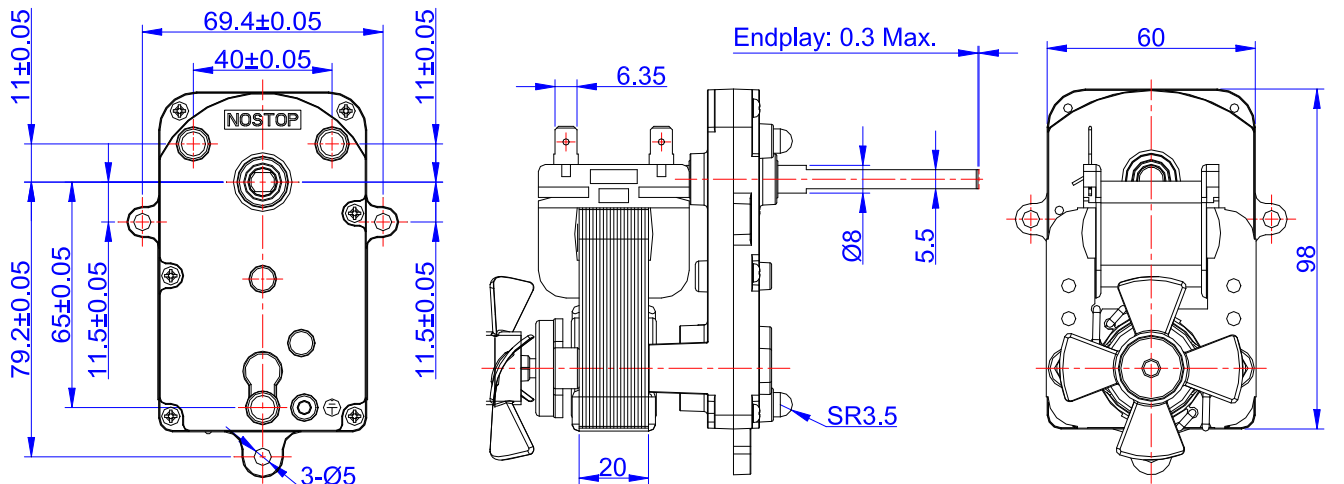
Beside the GB9760 gearbox, we have also developed 2 other types. Please see the detailed information as following:



GB9573 Outline Dimensions :



GB9860 Outline Dimensions :



Performances (tested under room temperature) :

Motor Model	Gearbox Model	Reduction Ratio	Voltage	Freq'y	Power	Speed	Torque	Gear Materials
			(VAC)	(Hz)	(Watts)	(rpm)	(Kg.cm)	
NSP6340V115B	GB9573	1 : 75	115	60		50		Sintered Powder Metal
NSP6320V230A	GB9860	1 : 55	230	50	20	56	11	Sintered Powder Metal

Remarks:

This catalog listed just some typical models of some typical reduction ratios. The performances can be adjusted according to needs. OEM & ODM are both welcome.