

Brief Introduction :

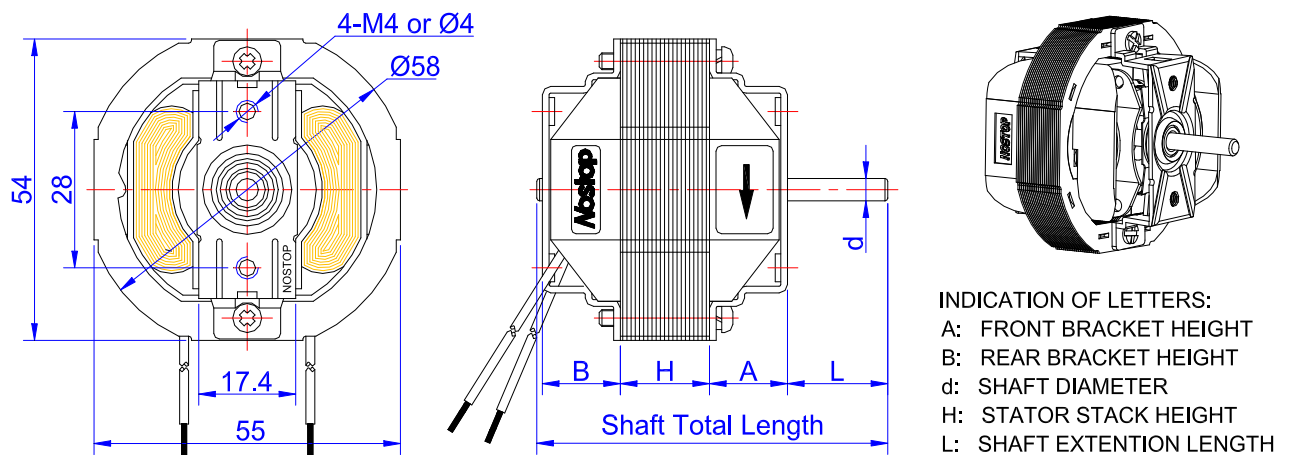
1. The rated voltage and the frequency can be any as needed.
2. The shaft diameter (d) can be: Ø4mm or Ø5mm, with D-cuts, threads, etc., and the shaft length (L) can be any as needed.
3. The stator thickness (H) can be any from 10mm to 40mm.
4. The bearing brackets can be made either by steel or by zinc-aluminum alloy.
5. The bearing can be either sleeve bearings or ball bearings as needed.
6. The rotation of the motor can be either in CW or in CCW as needed.
7. RoHS compliant is available.
8. Lead out by terminals is also available



Typical Application :

Toilet ventilator, room heater, humidifier, air cleaner, personal fan, foot massager, etc.

Outline Dimensions (All dimensions in millimeter) :



Remarks: only the dimensions marked in letters are changeable as needed. Other dimensions are fixed.

Technical Performances (tested under room temperature) :

Specs Models	Stack Height (mm)	Rated Supply		No Load			At Max. Efficiency.				At Stall	
		Volt. (VAC)	Freq. (Hz)	Current (Amp)	Speed (rpm)	Power (Watts)	Current (Amp)	Speed (rpm)	Power (Watts)	Torque (mNm)	Current (Amp)	Power (Watts)
NSP5812	12	220	50	0.090	2600	14.6	0.094	1850	15.8	6.1	0.096	16.8
		120	60	0.180	3300	17.5	0.210	2120	17.5	7.8	0.256	27.5
NSP5816	16	220	50	0.096	2700	13.0	0.109	2300	15.6	12.0	0.130	20.5
		120	60	0.325	3400	22.3	0.272	2650	22.3	9.8	0.314	34.5
NSP5816-2 (2 speeds)	16	220	50	0.110	2700	15.5	0.156	2180	25.1	12.2	0.185	28.0
				0.087	2750	12.0	0.095	2050	14.8	7.8	0.135	23.0
NSP5820	20	220	50	0.135	2800	16.8	0.145	2500	20.0	9.2	0.180	28.5
NSP5820-2 (2 speeds)	20	220	50	0.125	2800	15.5	0.147	2550	19.0	11.2	0.190	27.5
				0.197	2850	12.5	0.115	2500	15.7	6.3	0.190	18.5
NSP5825	25	220	50	0.145	2850	18.4	0.162	2380	23.5	14.1	0.210	26.5
NSP5830	30	220	50	0.135	2890	16.5	0.166	2390	22.8	16.8	0.198	25.6
NSP5835	35	230	50	0.155	2860	19.2	0.183	2250	26.2	19.5	0.223	29.8

Remarks: This catalog listed just some typical models. The performances as above are just for reference only. We can adjust our motor specifications according to what the customer needs. OEM & ODM are both welcome.