

Brief Introduction :

1. The rated voltage and the frequency can be any as needed.
2. The output power of the motor can be from 1.0W to 10W (approx.).
3. The shaft diameter (d) can be: Ø5, Ø5.5, Ø6, Ø6.35mm or as needed, with D-cuts, threads, etc., and the shaft length (L) can be any also.
4. The stator thickness (H) can be any from 12mm to 50mm.
5. The bearing can be either sleeve bearing or ball bearing as needed.
6. The brackets can be made either by steel or by zinc-aluminum alloy.
7. **The coil is insulated to stator by bobbin (new design).**
8. RoHS compliant is available. Lead out by terminals is also available.

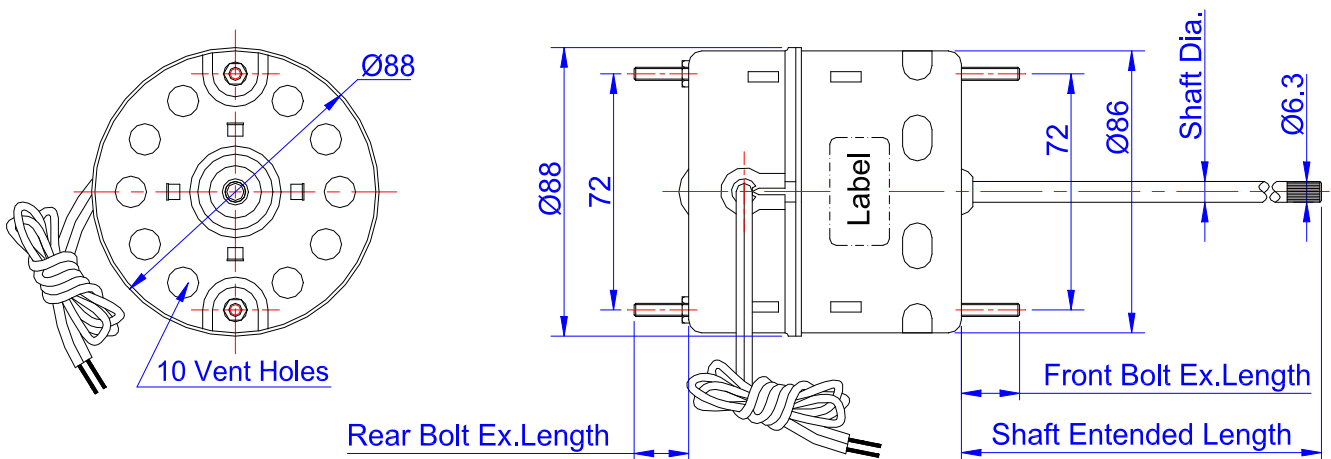


Typical Application :

This motor is mainly designed for **water pump of evaporative cooler**. It can also be used for other applications such as hand dryer, hood fan, air purifier, massager, humidifier, etc

Outline Dimensions (All dimensions in millimeter) :

CE Certificate No.: WT053001846



Remarks: only the dimensions marked in letters are changeable as needed. Other dimensions are fixed.

Technical Performances (tested under room temperature) :

CE Certificate No.:

WT053001846

Specs	Output Power (Watts)	Rated Supply		No Load			At Max. Efficiency				At Stall		Stack Height (mm)
		Volt. (VAC)	Freq'y (Hz)	Current (Amp)	Speed (rpm)	Power (Watts)	Current (Amp)	Speed (rpm)	Power (Watts)	Torque (mNm)	Current (Amp)	Power (Watts)	
NSP8812	5	220	50	0.18	2800	30	0.21	2250	38	18.7	0.29	58	12
NSP8816	9	127	60	0.68	3380	61	0.73	2800	74	32.3	0.91	93	16
		220	60	0.36	3380	56	0.39	2800	68	28.8	0.48	83	
	11	127	60	0.65	3400	53	0.79	2650	75	38.4	0.89	85	
		220	60	0.44	3360	71	0.47	2800	82	39.7	0.56	89	
	13	127	60	0.62	3370	54	0.73	2800	74	32.5	0.84	85	
		220	60	0.42	3370	63	0.46	2800	81	39.6	0.56	97	
NSP8820	12	220	50	0.35	2850	48	0.41	2350	68	48.9	0.51	82	20
		120	60	0.61	3380	47	0.73	2670	65	45.8	0.89	79	
NSP8825	13	220	50	0.31	2850	42	0.36	2550	59	48.5	0.46	75	25

Remarks: This catalog listed just some typical models. The performances as above are just for reference only. We can adjust our motor specifications according to what the customer needs. OEM & ODM are both welcome.