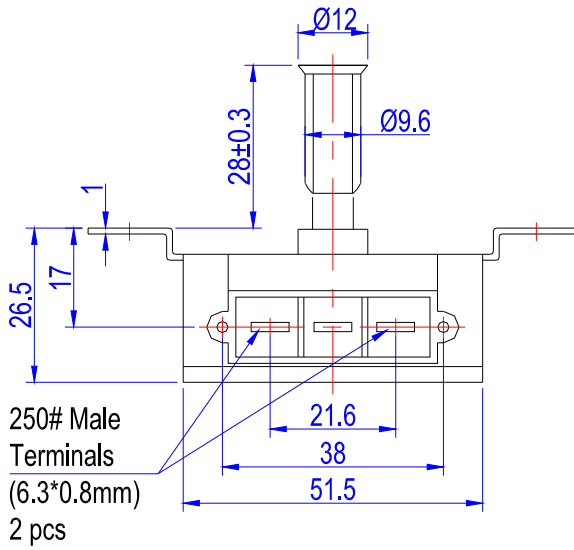
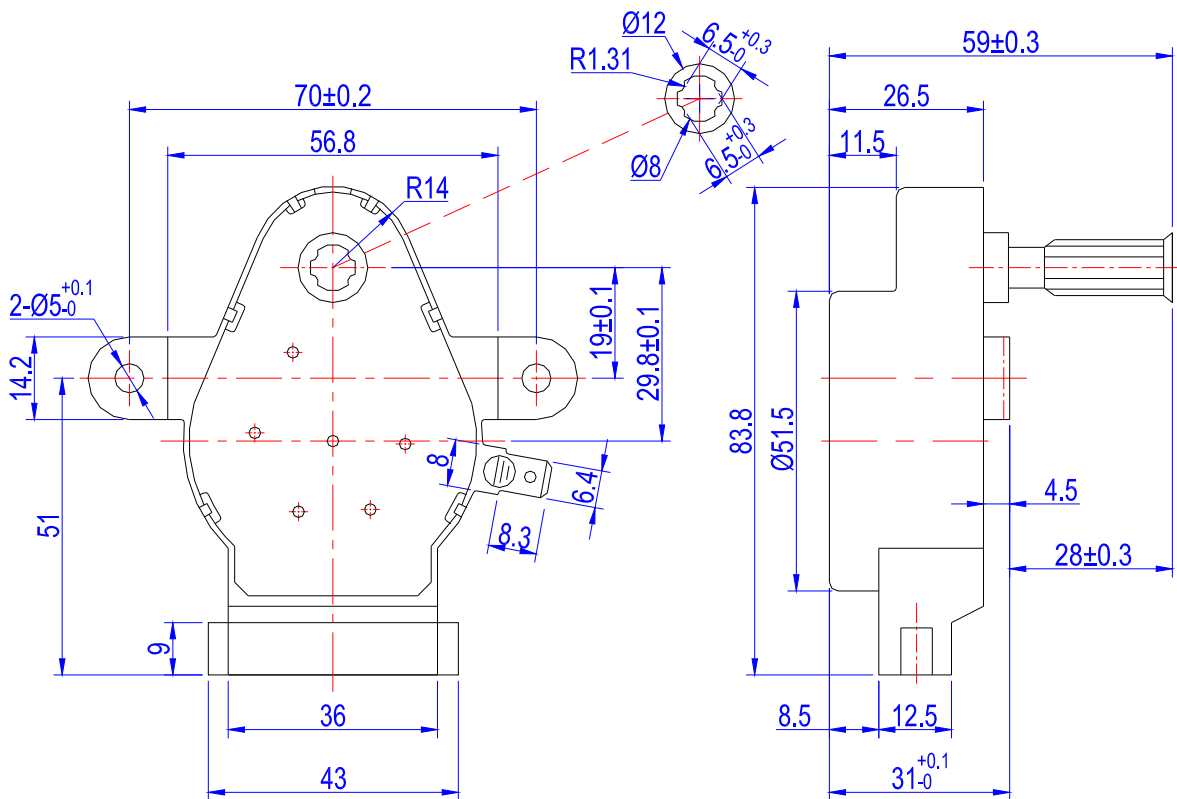


# AC Synchronous Geared Motor

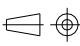
# Model: NDR-5227-2RPM



Technical Performances:	
Rated Voltage	: 220-240 VAC
Rated Frequency	: 50/60 Hz
Input Power	: 4W Max.
Output Speed	: 2.0 RPM Constant
Rated Torque	: 12 Kg.cm Min.
Starting Voltage	: 176V AC Max.
Temperature Rise	: 65K Max.
Noise Level	: 50 dB(A) Max.
Insulation Resistance	: 100MΩ Min.
Dielectric Strength	: 1800VAC, 1S



Tolerance except as noted    Decimal 2pl (.xx): ±0.05    Decimal 1pl (.x): ±0.1    Angle: ±2°    All dimensions in millimeter (mm)

				<b>NOSTOP</b> PROFESSIONAL MOTOR DESIGNER & MANUFACTURER		1st Angle		Customer Name:			
								-			
								Contract No./Date:			
								-			
Marks	No.	Amendment Contents	Signature	Date	Designed	T.Y.Wang	Drawing Marks		Application:		
The materials described and/or the information conveyed by this drawing and/or the relative documents are proprietary to Nostop Motor Group, are or may be the subject of patent applications, and may not be copied and divulged to others, or used for manufacturing without written consent by Nostop.					Corrected	T.Y.Wang			-		
					Checked	Dong, QIN	Weight	Scale			Produced By:
					Drawn	HERO	0.19 Kgs	1:1			Nostop Motor Group (SZN) Factory
					Total: 1 of 1		Date: 2010-5-28				
Tel: +86.760.8848 3385, 8848 3316 (Export)    Fax: +86.760.8848 3386    E-mail: stony@nostop.cn, teresa@nostop.cn    URL: www.nostopmotor.com.cn											