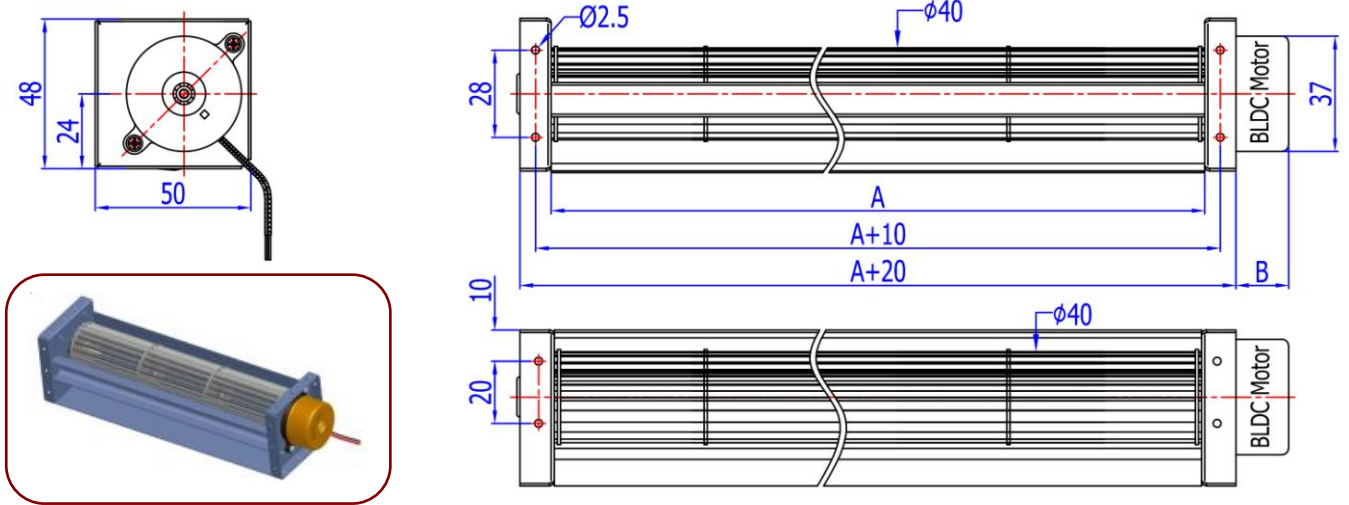


Brief Introduction :

Wheel:	Aluminum Alloy	Insulation System:	Class E, B, F or H As Request
Housing:	Galvanized Sheet or E-Coating	Operating Temperature:	-10°C To +70°C
Motor Type:	Brushless DC Motor	Overheating Protection:	T.P. or Z.P.
Bearing:	Ball Bearing or Bronze Sleeve	Electrical Connection:	Lead Wire
Power Supply:	DC 5V, 12V, 18V, 24V or as request	RoHS Compliance:	As Needed

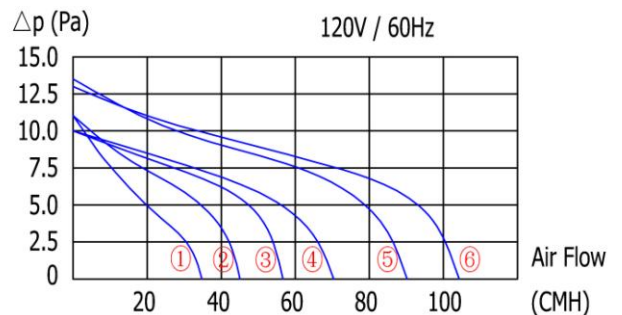
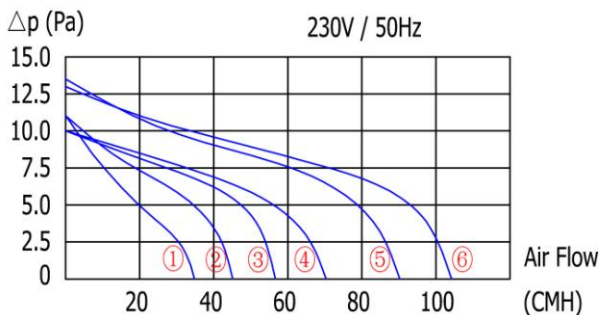
Outline Dimensions (All dimensions in millimeters) :



Technical Performances (based on free air conditions) :

No.	Specifications Models	Rated Volt. (VDC)	Input Current (Amps)	Output Speed (rpm)	Max. Airflow		Max. Static Pressure		Noise Level [dB(A)]	Dimensions	
					Metric	American	Metric	American		A	B
					(m ³ /h)	(CFM)	(Pa)	(in H ₂ O)		(mm)	(mm)
①	NDF40150-BL3725	5	0.043	2600	60	35.3	25	0.1005	37	160	40
②	NDF40200-BL3725	12	0.045	2600	95	55.9	27	0.1086	38	200	40
③	NDF40250-BL3725	18	0.048	2600	130	76.4	28	0.1126	41	250	40
④	NDF40300-BL3725	24	0.050	2600	160	94.1	28	0.1126	43	300	40

Characteristics Curves:



Remarks: This catalog listed just some typical models. The performances as above are just for reference only. We can adjust the specifications according to what the customer needs. OEM & ODM are both welcome.